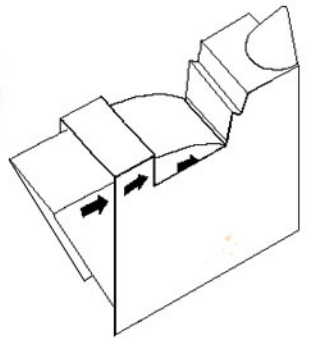
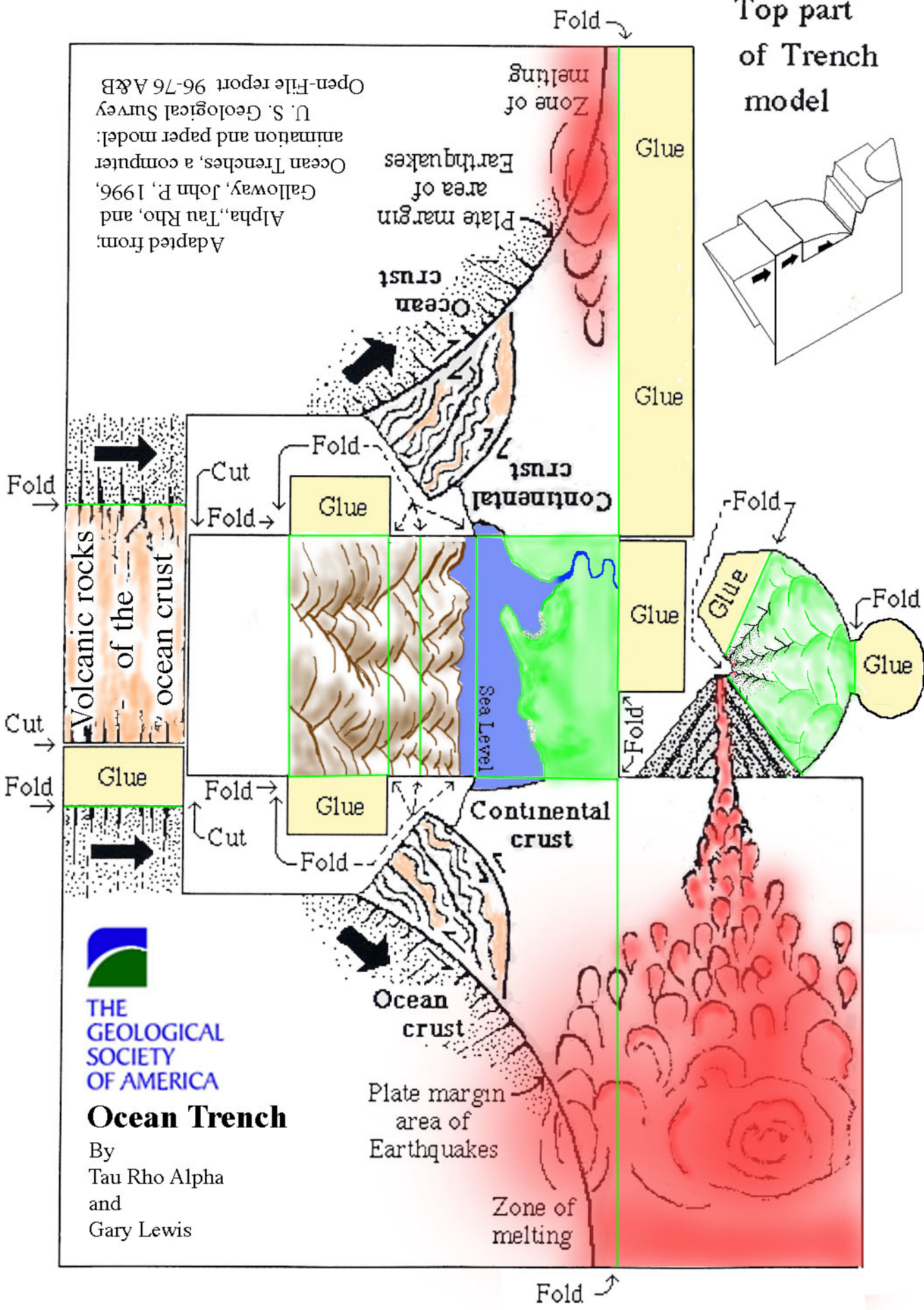


**Top part  
of Trench  
model**



Adapted from:  
Alpha, Tau Rho, and  
Galloway, John P., 1996,  
Ocean Trenches, a computer  
animation and paper model:  
U. S. Geological Survey  
Open-File report 96-76 A&B



  
**THE  
GEOLOGICAL  
SOCIETY  
OF AMERICA**

**Ocean Trench**  
By  
Tau Rho Alpha  
and  
Gary Lewis